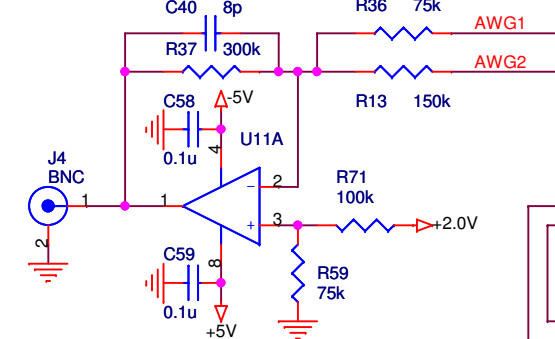
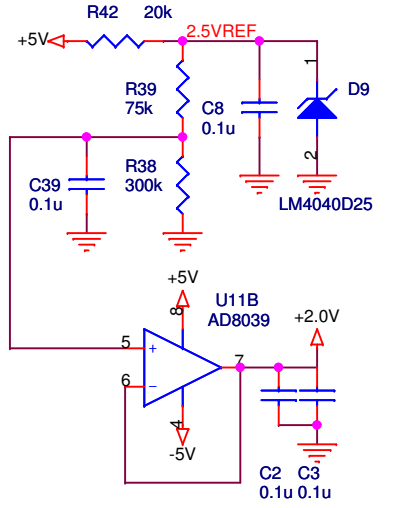


ARBITRARY WAVEFORM GENERATOR

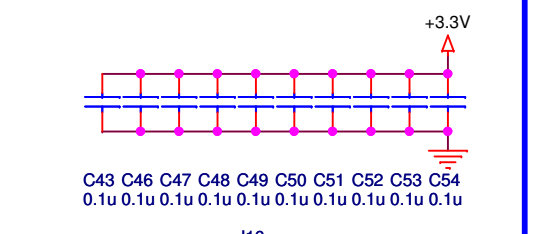


AWG1: 0, 2V
 AWG2: 0, 2V
 $V_{OUT} = AWG1 * 4 + AWG2 * 2 - 6.14$

2.0V REF



SPI SRAM



3x4 KEYPAD

