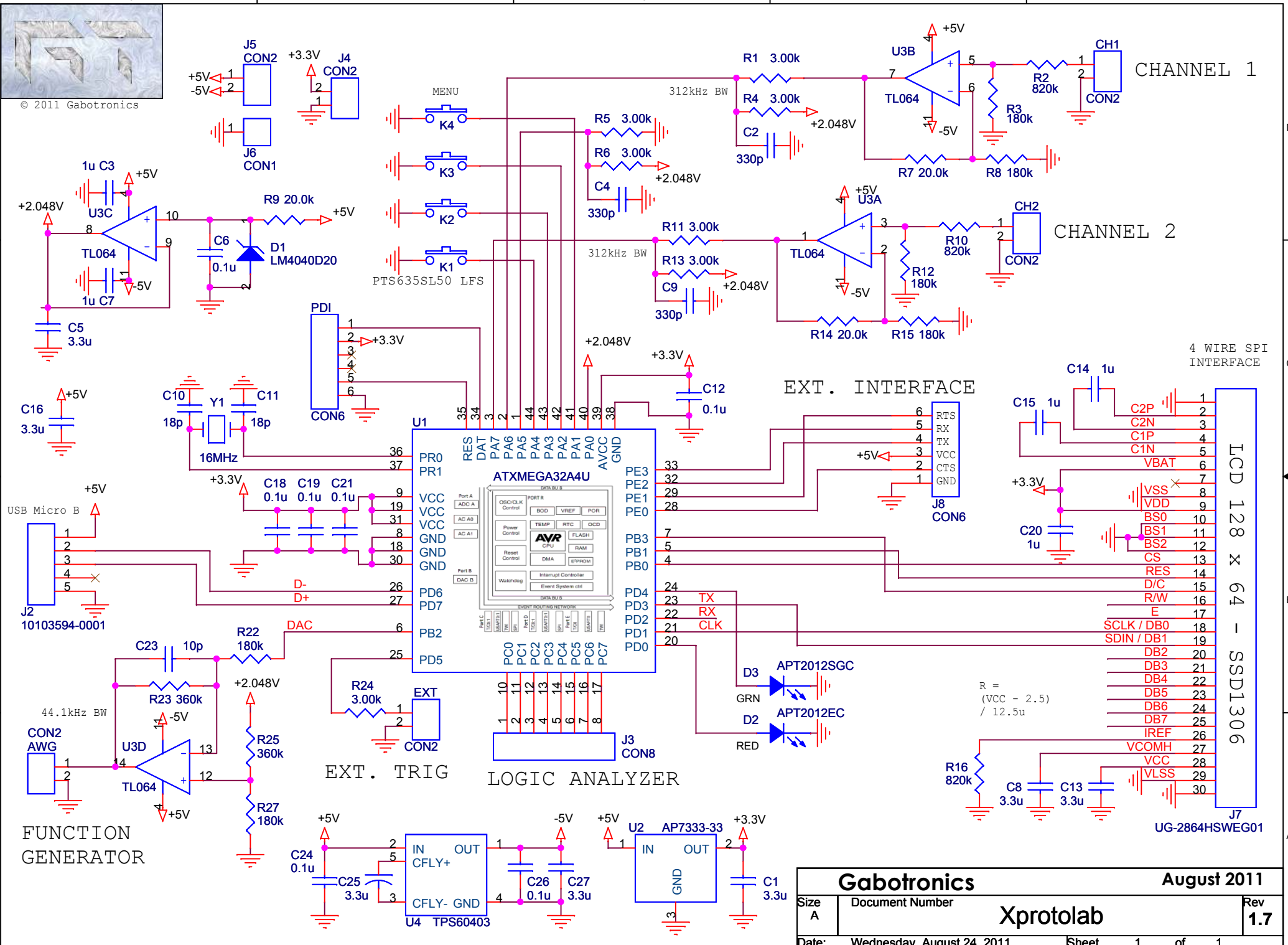




© 2011 Gabotronics



Gabotronics		August 2011	
Size A	Document Number		Xprotolab
Date:	Wednesday, August 24, 2011	Sheet	1 of 1
			Rev 1.7