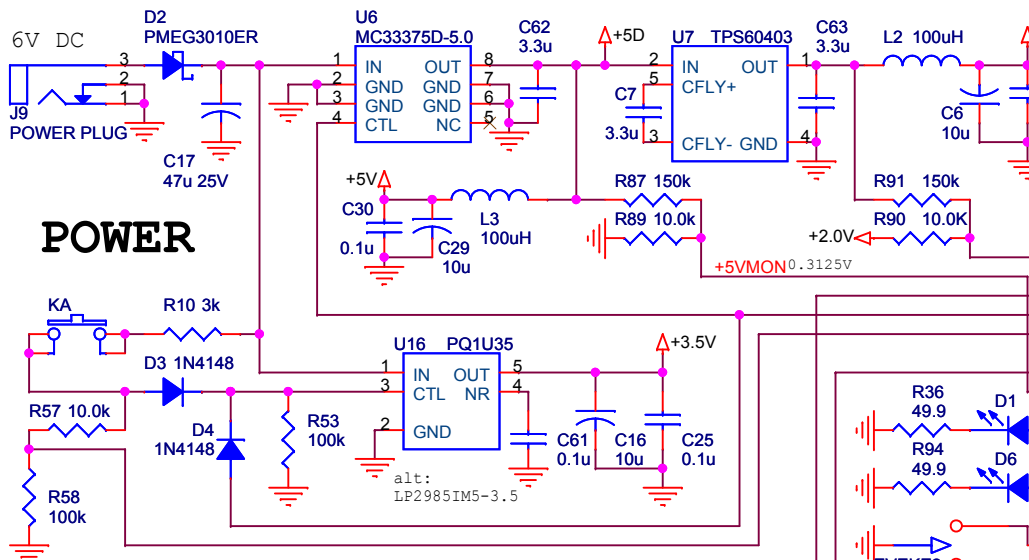
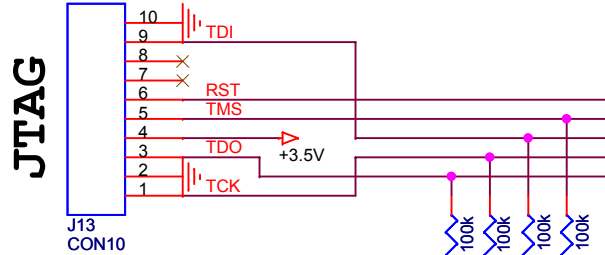


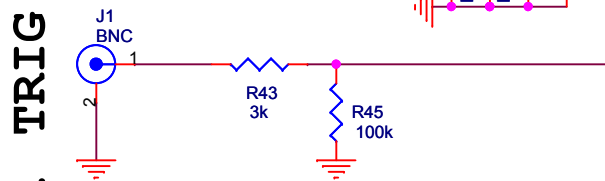
POWER



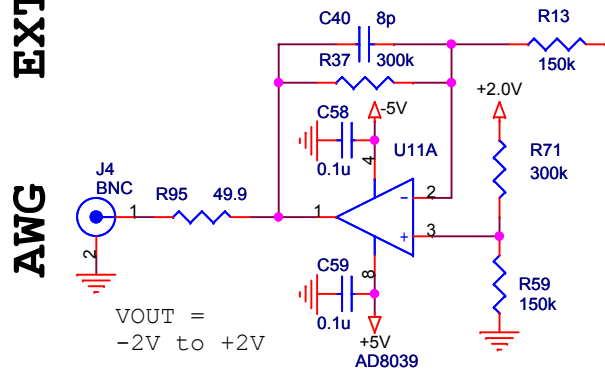
JTAG



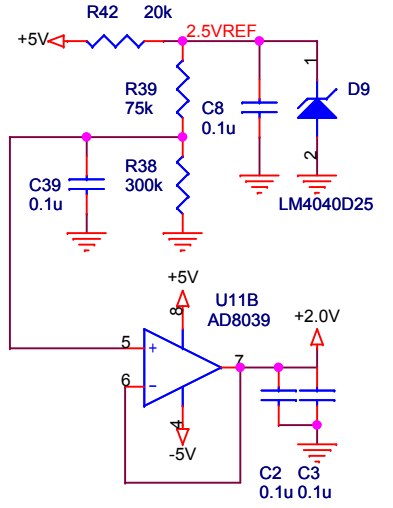
EXT. TRIG.



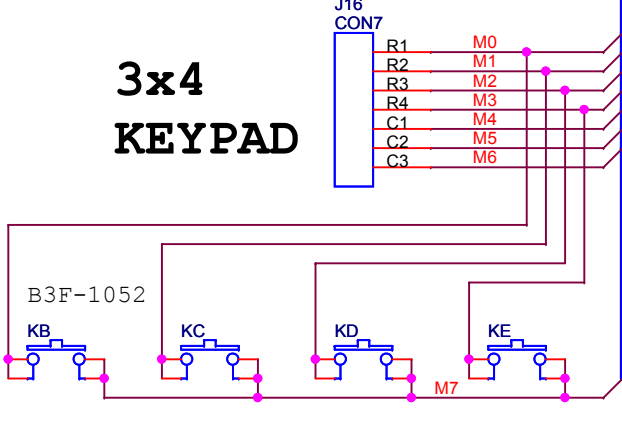
AWG



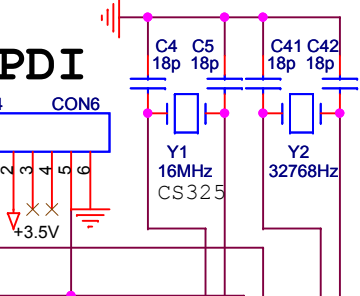
2.0V REF



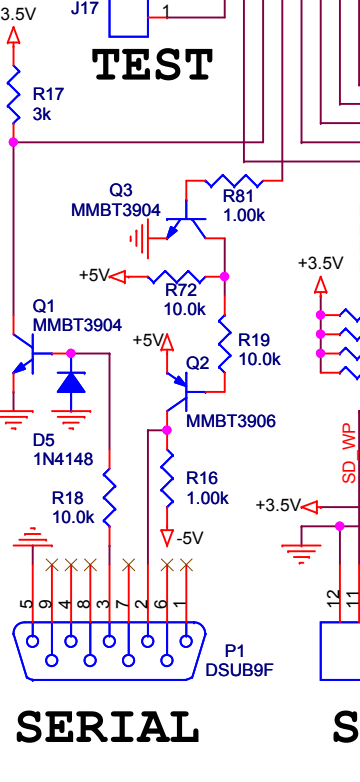
3x4 KEYPAD



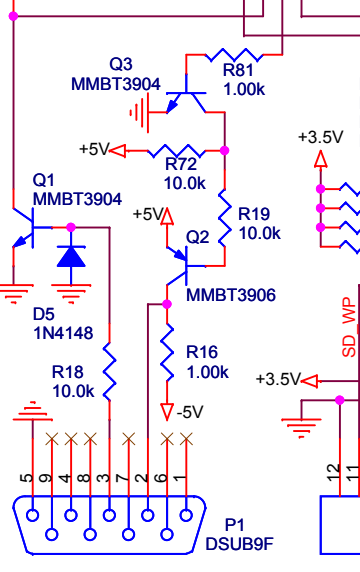
PDI



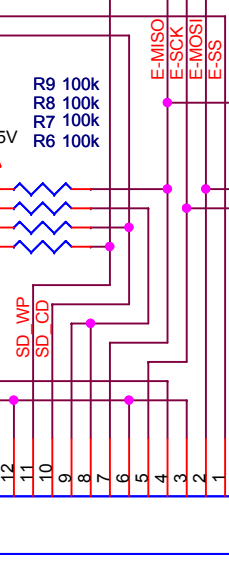
TEST



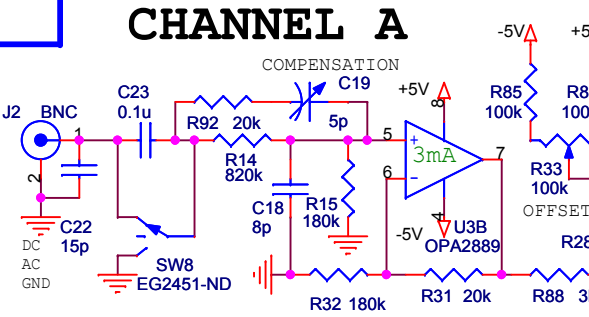
SERIAL



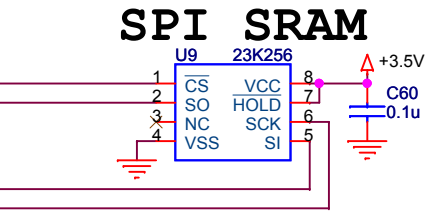
SD CARD



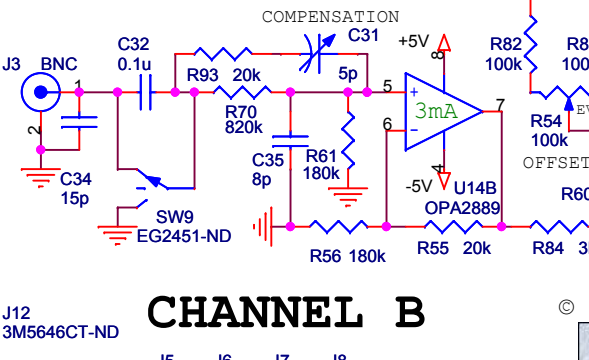
CHANNEL A



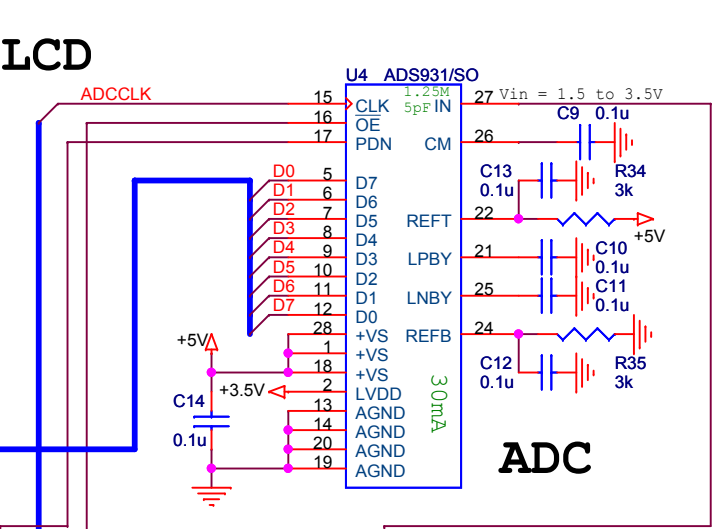
SPI SRAM



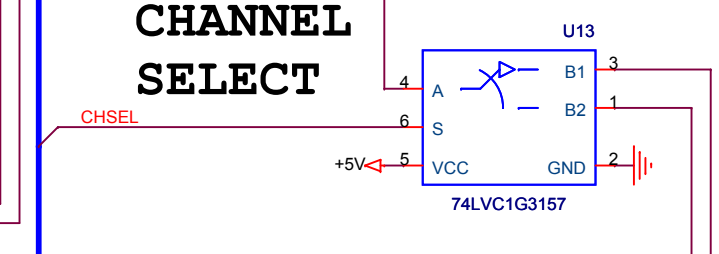
CHANNEL B



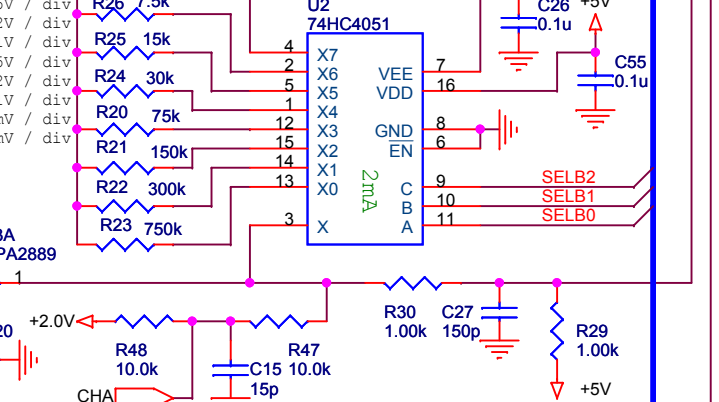
LCD



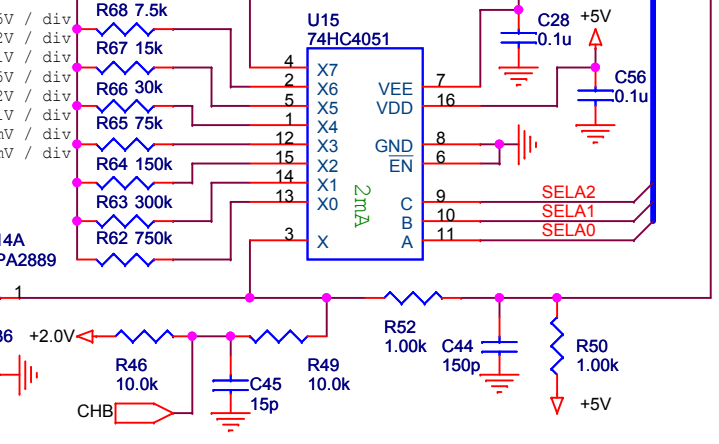
CHANNEL SELECT



CHANNEL A



CHANNEL B



© 2010 Gabotronics