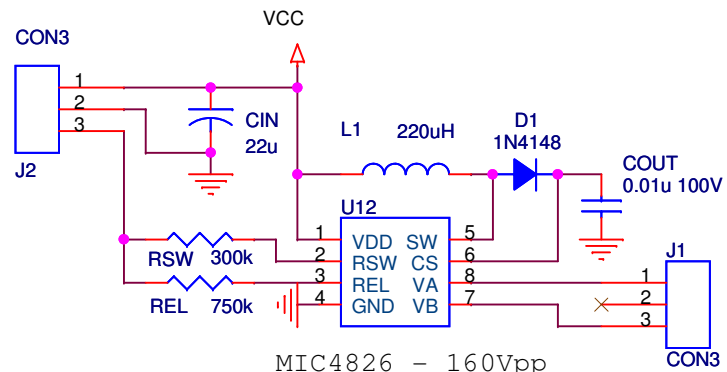




© 2009 Gabotronics



MIC4826 - 160Vpp
 MIC4827 - 180Vpp
 MIC4832 - 220Vpp

VCC: 1.8 to 5.5V

$$F_{sw} \text{ (kHz)} = 36 / R_{sw} \text{ (Mohm)}$$

$$= 120\text{kHz}$$

$$F_{EL} \text{ (Hz)} = 360 / REL \text{ (Mohm)}$$

$$= 480\text{Hz}$$

Inductor:
 CB2518T221K
 LB3218T221K

Gabotronics C. A.

May 2009

Size	Document Number	Rev
	EL Module - High voltage generator	1.0
Date:	Monday, May 11, 2009	Sheet 1 of 1