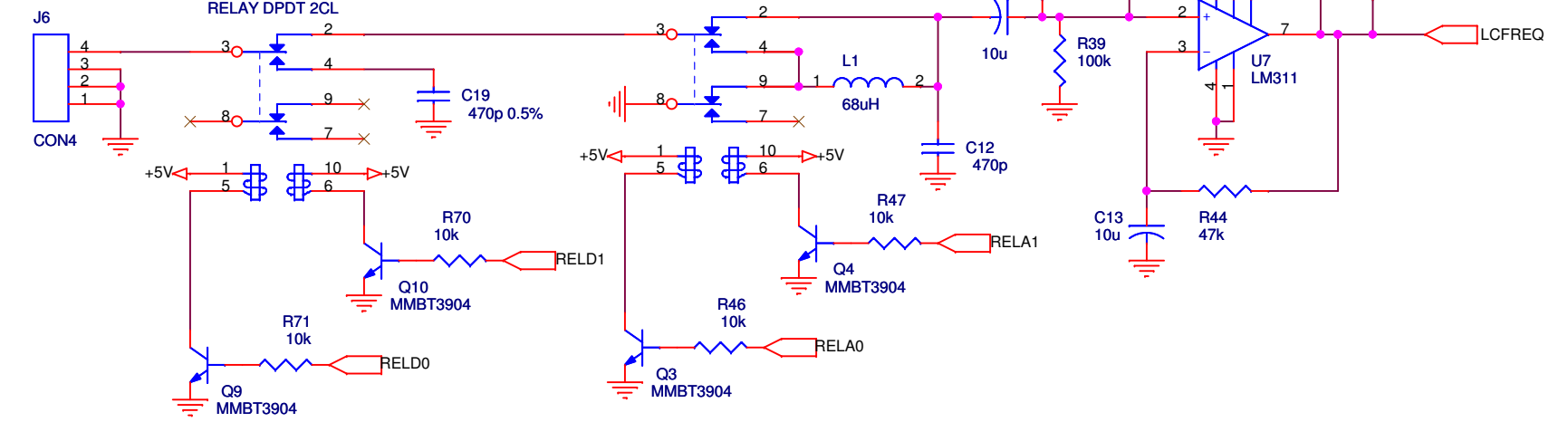


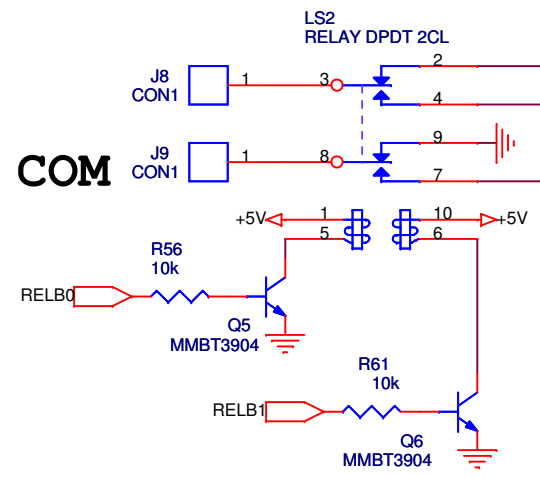


Relay NC: Capacitor Measurement
Relay NO: Inductor Measurement

L/C



V / ohm / diode / component test



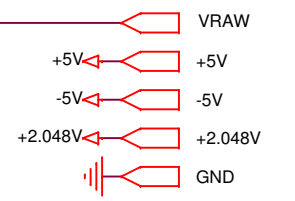
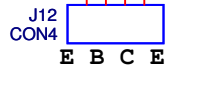
mA/uA



A



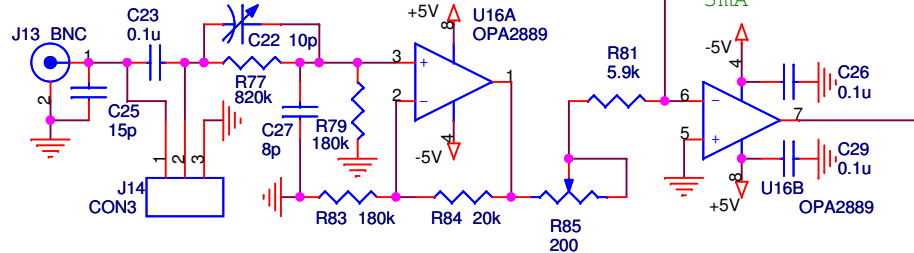
Transistor Test



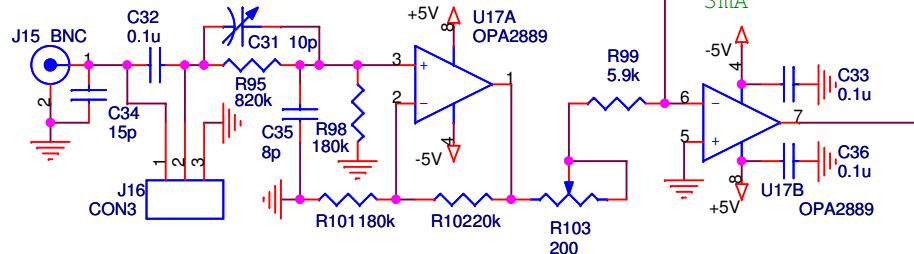
Voltage Ranges:
 +/- 204.8V, 400mV sensitivity
 +/- 20.48V, 40mV sensitivity
 +/- 2.56V, 5mV sensitivity
 +/- 256mV, 500uV sensitivity

Current Ranges:
 +/- 10.24A, 20mA sensitivity, 0.2 ohm
 +/- 204.8mA, 400uA sensitivity, 10 ohm
 +/- 2.048mA, 4uA sensitivity, 10 ohm
 +/- 20.48mA, 40uA sensitivity, 100 ohm
 +/- 204.8uA, 0.4uA sensitivity, 100 ohm

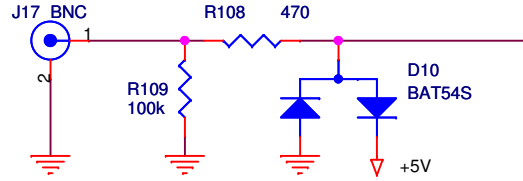
CHANNEL A



CHANNEL B



EXTERNAL TRIGGER



ARBITRARY WAVEFORM GENERATOR

$$V_{OUT} = GAIN * DAC + 2 * OFFSET$$

(-4V to 4V)

